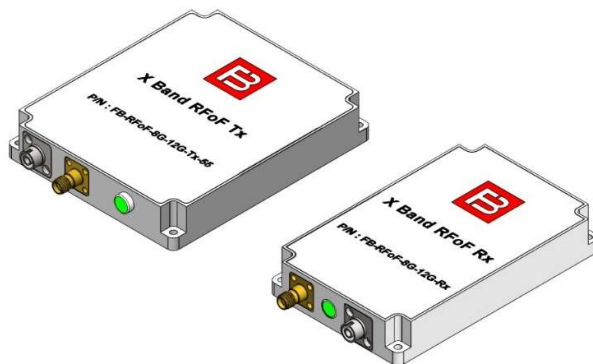




X-Band RF Over Fiber Link



Key Features

- Frequency Range: 8 GHz to 12 GHz
- Optical Interface: Single-mode fiber
- RF Interface: SMA connectors
- Dynamic Range: > 100 dB
- Transmission Distance: Up to 40 km (depending on fiber type and configuration)
- Power Supply: +5V DC for RX and 12V & 5 V DC for TX

Applications:

- Telecommunications: Ideal for transmitting RF signals over long distances in telecom networks.
- Satellite Communications: Enables high-frequency RF signal transmission in satellite ground stations.
- Radar Systems: Used for radar signal distribution and remote antenna locations.
- Electronic Warfare: Supports RF signal transmission and distribution in military applications.
- Test and Measurement: Provides accurate and reliable RF signal transmission for testing purposes.
- Broadcasting: Facilitates RF signal distribution in broadcasting systems.
- Wireless Communication: Enables RF signal transmission in wireless communication systems.

Overview

FemtoBeam's X Band RF over fiber module is a versatile solution for transmitting RF signals over long distances using optical fiber technology. It supports a wide frequency range from 8 GHz up to 12 GHz, offering low signal loss, high fidelity, and excellent reliability. This module is suitable for various applications in telecommunications, satellite communications, radar systems, electronic warfare, and more.



#startupindia

FEMTOBEAM

Office: 1068, 3r Floor, 24th main HSR Layout, Sector 1, Bengaluru, Karnataka – 560102

Email: ravilishore@femtobeam.com Contact: +91- 9553577150

Web: www.femtobeam.com



X-Band RF Over Fiber Link

Specifications

Frequency Range	8 GHz – 12GHz
Link Gain	0 dB
Return Loss	≥ 15dB
Input 1dB Compression	0 dB
Amplitude Flatness	+/- 2 dB
Spurious Level	Better than -60 dBc
Phase Stability	≤1° per 10 sec
Operating Temperature	-20 °C to 70 °C
Storage Temperature	-55 °C to 85 °C
Voltage	+12 V & +5V DC – Tx & +5Vdc - Rx
Wavelength	1550 Nm
Optical O/P power	10 mW Typical



#startupindia

FEMTOBEAM

Office: 1068, 3r Floor, 24th main HSR Layout, Sector 1, Bengaluru, Karnataka – 560102

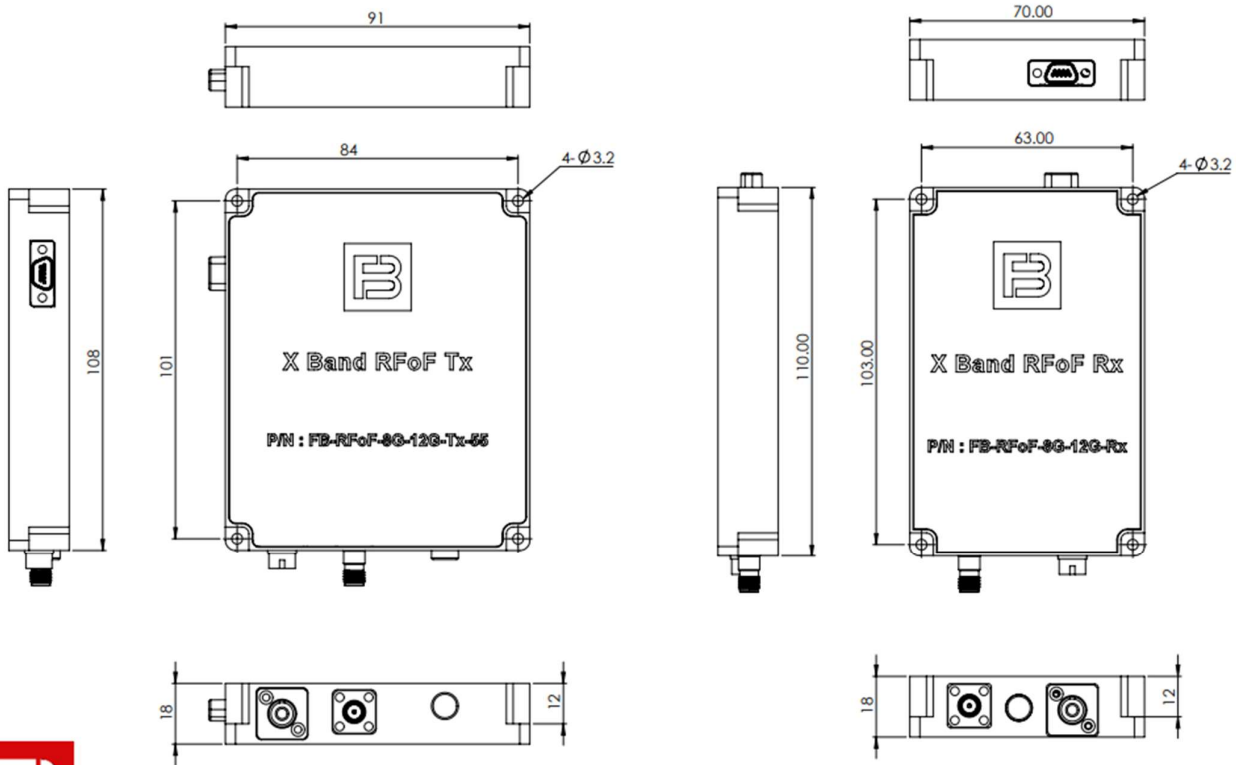
Email: ravilishore@femtobeam.com Contact: +91- 9553577150

Web: www.femtobeam.com



X-Band RF Over Fiber Link

Mechanical Dimension:



Part no:

Optical Transmitter: FB-RFOF-8G-12G-Tx-55

Optical Receiver: FB-RFOF-8G-12G-Rx



#startupindia

FEMTOBEAM

Office: 1068, 3r Floor, 24th main HSR Layout, Sector 1, Bengaluru, Karnataka – 560102

Email: ravilishore@femtobeam.com Contact: +91- 9553577150

Web: www.femtobeam.com